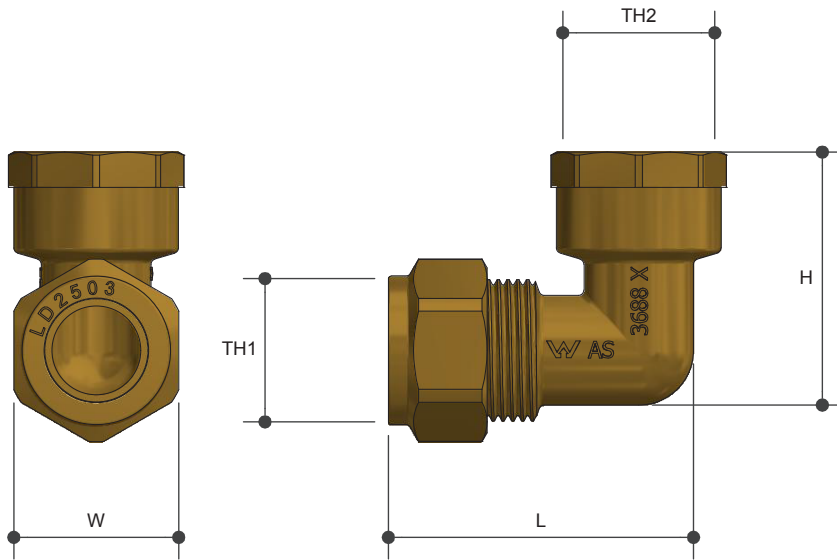


# NYLON COMPRESSION

Elbow FI X C Lead Free

Product Specifications



## Specifications

Maximum Working Temperature 1 °C to 95 °C

Maximum Pressure Rating 1600kPa

## Features

Watermark Lead Free Approved

Brass and Chrome Finish

Tested and Certified to AS 3688

## Sizing Chart (MM)

	L	H	W	TH1	TH2
AW1150LF	48	44	23	15C	Rp 1/2"
AW1155LF*	48	44	23	15C	Rp 1/2"
AW1151LF	57	47	31	20C	Rp 3/4"
AW1156LF*	57	47	31	20C	Rp 3/4"

\* Chrome Plated

## Material Chart

Part	Material
Elbow	DR Lead Free Brass
Compression Nut	Brass
Olive	Nylon

For more information on Metforge, contact:  
 Austworld 15 Activity Crescent, Molendinar, Queensland 4214 Australia  
 P. 1300 780 430 F. 1300 780 441 E. info@austworld.com.au

Austworld Pty Ltd. All rights reserved 2018. Austworld and Metforge are registered trade mark belonging to Austworld Pty Ltd.

