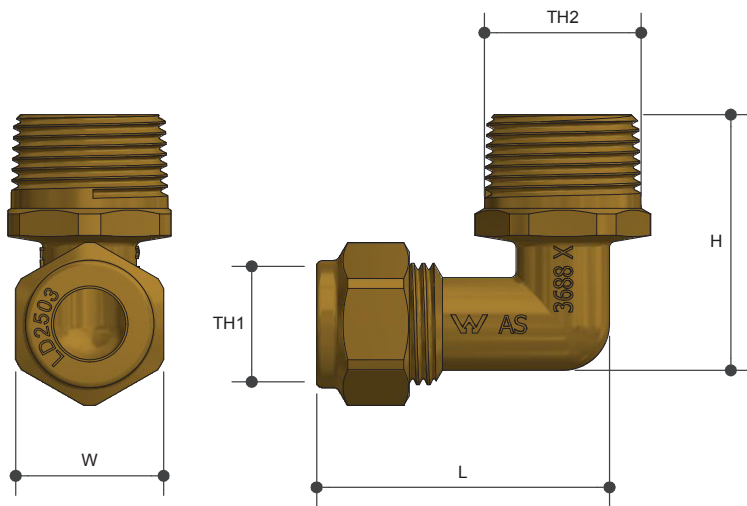


COPPER COMPRESSION

Elbow MI X C Reducing Lead Free

Product Specifications



Specifications

Maximum Working Temperature 1°C to 95°C

Maximum Pressure Rating 1600kPa

Features

Watermark Lead Free Approved

Tested and Certified to AS 3688

Sizing Chart (MM)

	L	H	W	TH1	TH2
AW2142LF	50	44	25	15C	R 3/4"
AW2142NBLF	50	44	25	15C	R 3/4"

Material Chart

Part	Material
Elbow	DR Lead Free Brass
Compression Nut	Brass
Olive	Copper

For more information on Metforge, contact:

Austworld 15 Activity Crescent, Molendinar, Queensland 4214 Australia

P. 1300 780 430

F. 1300 780 441

E. info@austworld.com.au

Austworld Pty Ltd. All rights reserved 2018. Austworld and Metforge are registered trade mark belonging to Austworld Pty Ltd.

