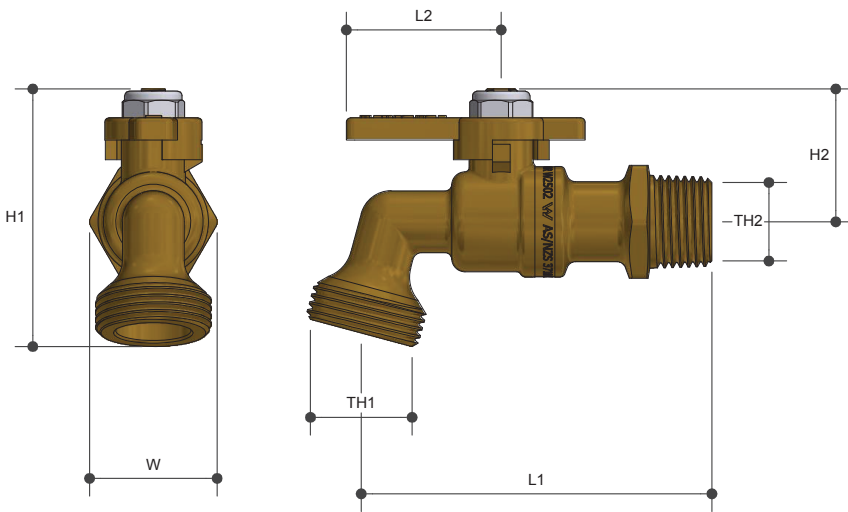


HOSE TAPS

Quarter Turn MI Lead Free

Product Specifications



Specifications

Working Temperature 1°C to 75°C

Maximum Pressure Rating 1000kPa

Sizing Chart (MM)

	L1	L2	H1	H2	W	TH1	TH2
TH04LF	79	35	58	30	29	G 3/4"	R 1/2"
TH47LF*	79	35	58	30	29	G 3/4"	R 1/2"
TH09LF	81	35	60	31	35	G 1"	R 3/4"

* Nickel Plated

Features

Watermark Lead Free Approved

100% Pressure Tested

Available in Brass & Nickel Plated

Blow Proof Spindle

Tested and Certified to AS/NZS 3718



Material Chart

Part	Material
Body	DR Lead Free Brass
Ball	Stainless Steel
Spindle	Stainless Steel
Cap	DR Lead Free Brass
Nut	Stainless Steel
Seal	PTFE
O Ring	EPDM
Handle	DR Brass
Aerator	PE

For more information on Metforge, contact:

Austworld 15 Activity Crescent, Molendinar, Queensland 4214 Australia

P. 1300 780 430

F. 1300 780 441

E. info@austworld.com.au

Austworld Pty Ltd. All rights reserved 2018. Austworld and Metforge are registered trade mark belonging to Austworld Pty Ltd.

