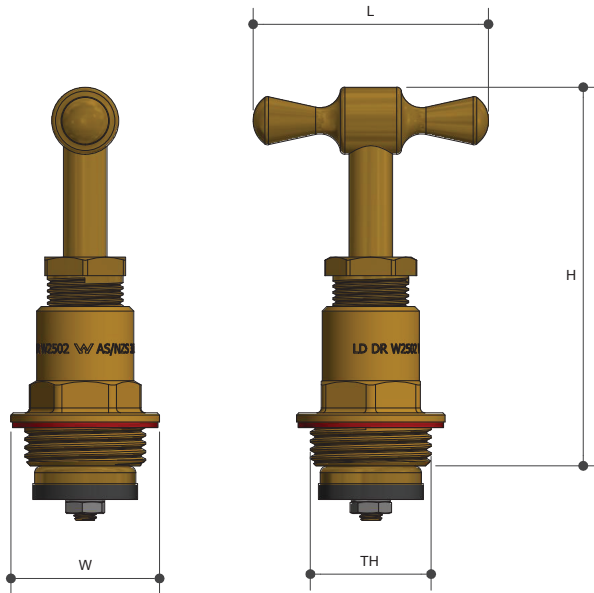


TOP ASSEMBLIES

T/Head Gland Packed Lead Free

Product Specifications



Specifications

Working Temperature 1°C to 75°C

Max. Pressure rating 1000kPa

Sizing Chart (MM)

	L	H	W	TH
TH57LF	51	82	32	G 3/4"
TH100LF Fullway	56	86	37	G 7/8"

Features

Watermark Lead Free Approved

100% Pressure Tested

Gland Packed

Tested and Certified to AS/NZS 3718

Material Chart

Part	Material
Handle	DR Lead Free Brass
Gland	PE
Washer	Fibre
Bonnet	DR Lead Free Brass
Spindle	DR Lead Free Brass
Jumper	DR Lead Free Brass
Seal	EPDM

For more information on Metforge, contact:

Austworld 15 Activity Crescent, Molendinar, Queensland 4214 Australia

P. 1300 780 430

F. 1300 780 441

E. info@austworld.com.au

Austworld Pty Ltd. All rights reserved 2018. Austworld and Metforge are registered trade mark belonging to Austworld Pty Ltd.

