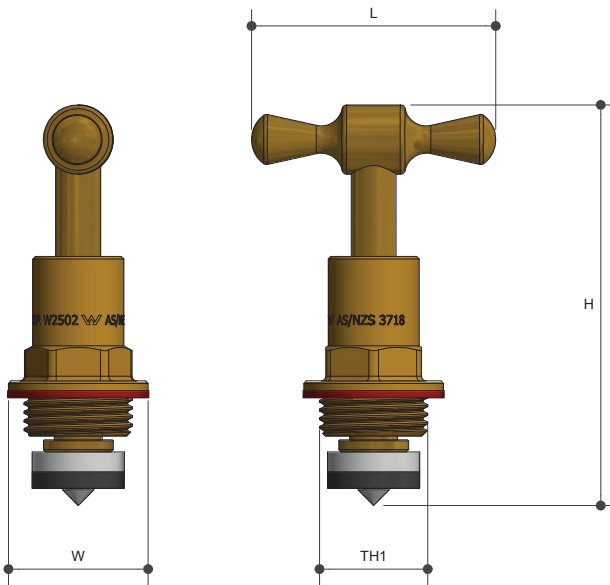


# TOP ASSEMBLIES

T Head Lead Free

Product Specifications



## Specifications

Working Temperature 1 °C to 75 °C

Max. Pressure Rating 1000kPa

## Features

Watermark Lead Free Approved

100% Pressure Tested

Tested and Certified to AS/NZS 3718

## Sizing Chart (MM)

	L	H	W	TH
TH53LF	51	69	29	G 5/8"
TH54LF*	51	69	29	G 5/8"
TH55LF	51	83	32	G 3/4"

\* Chrome Plated

## Material Chart

Part	Material
Handle	Brass
Washer	Fibre
Bonnet	DR Lead Free Brass
Spindle	DR Lead Free Brass
Jumper	PA
O Ring	EPDM

For more information on Metforge, contact:  
 Austworld 15 Activity Crescent, Molendinar, Queensland 4214 Australia  
 P. 1300 780 430 F. 1300 780 441 E. info@austworld.com.au

Austworld Pty Ltd. All rights reserved 2018. Austworld and Metforge are registered trade mark belonging to Austworld Pty Ltd.

