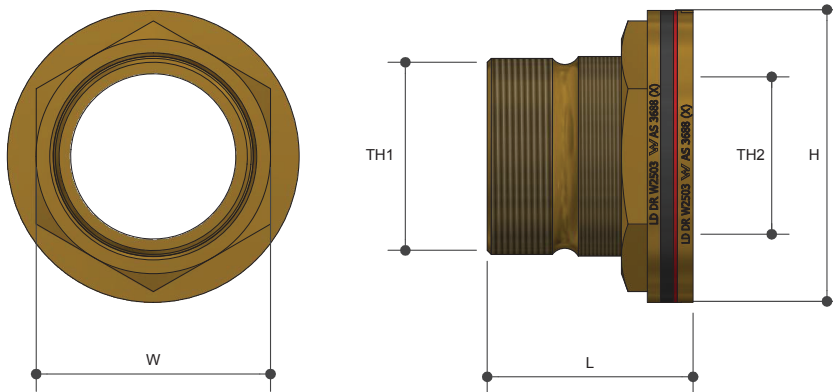


TANK FITTINGS

Tank Flange Watermarked Lead Free

Product Specifications



Specifications

Working Temperature 1°C - 60°C
 Maximum Pressure Rating 1600kPa

Sizing Chart (MM)

	L	H	W	TH1	TH2
TF20LF	58	47	34	R 3/4"	G 1/2"
TF25LF	60	58	42	R 1"	G 3/4"
TF32LF	70	65	50	R 1 1/4"	G 1"
TF40LF	72	74	56	R 1 1/2"	G 1 1/4"
TF50LF	75	88	69	R 2"	G 1 1/2"
TF65LF	78	110	90	R 2 1/2"	G 2"
TF80LF	88	124	101	R 3"	-
TF100LF	96	156	130	R 4"	-

*No internal thread for TF80 and TF100

Features

Watermark Lead Free Approved
 Tested and Certified to AS 3688



Material Chart

Part	Material
Body	DR Lead Free Brass
Nut	Brass
Washer	EPDM
Washer	Fibre

For more information on Metforge, contact:
 Austworld 15 Activity Crescent, Molendinar, Queensland 4214 Australia
 P. 1300 780 430 F. 1300 780 441 E. info@austworld.com.au

Austworld Pty Ltd. All rights reserved 2018. Austworld and Metforge are registered trade mark belonging to Austworld Pty Ltd.

