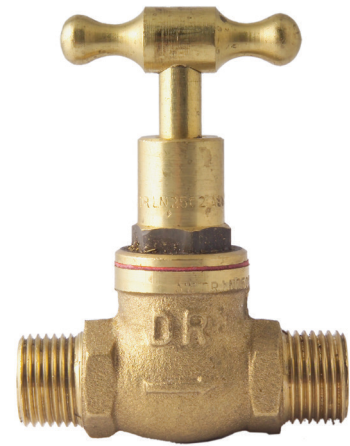
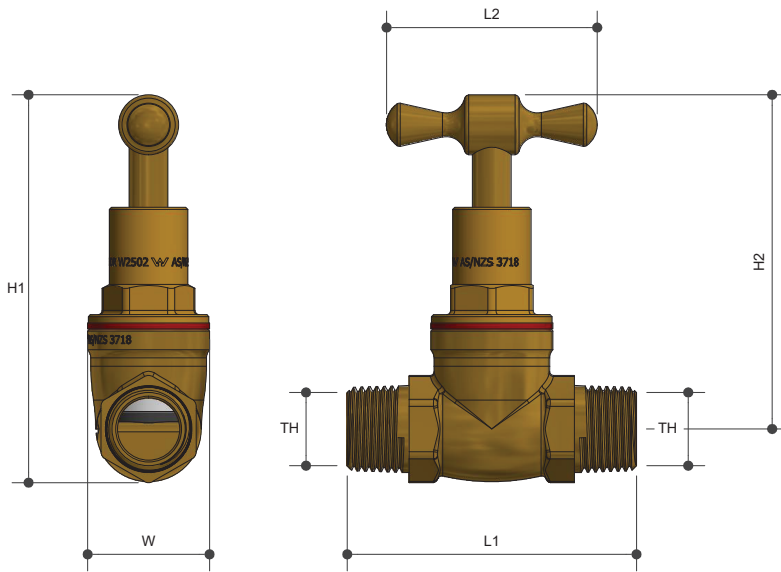


STOP TAP

MI X MI Lead Free

Product Specifications

Metforge®
brassware



Specifications

Working Temperature 1°C to 75°C

Max. Pressure Rating 1000kPa

Features

Watermark Lead Free Approved

100% Pressure Tested

Tested and Certified to AS/NZS 3718

Sizing Chart (MM)

	L1	L2	H1	H2	W	TH
TH29LF	70	51	94	81	30	R 1/2"
TH30LF*	70	51	94	81	30	R 1/2"

* Chrome Plated

Material Chart

Part	Material
Body	DR Lead Free Brass
Jumper	PA
Spindle	DR Lead Free Brass
Washer	Fibre
O Ring	EPDM
Bonnet	DR Lead Free Brass
Handle	Brass
Seal	EPDM

For more information on Metforge, contact:

Austworld 15 Activity Crescent, Molendinar, Queensland 4214 Australia

P. 1300 780 430

F. 1300 780 441

E. info@austworld.com.au

Austworld Pty Ltd. All rights reserved 2018. Austworld and Metforge are registered trade mark belonging to Austworld Pty Ltd.

AW
AUSTWORLD