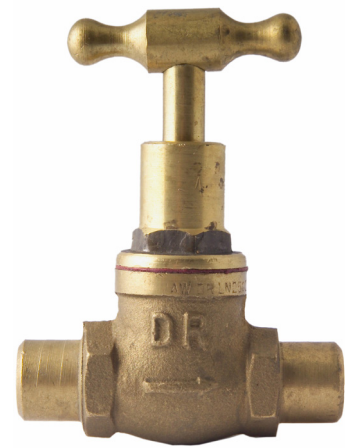
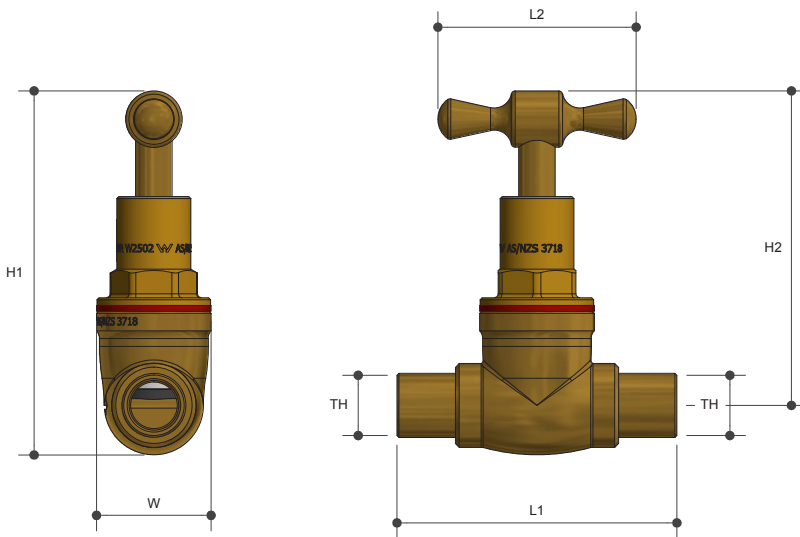


STOP TAP

Capillary Lead Free

Product Specifications



Specifications

Working Temperature 1 °C to 75 °C

Max. Pressure Rating 1000kPa

Features

Watermark Lead Free Approved

100% Pressure Tested

Tested and Certified to AS/NZS 3718

Sizing Chart (MM)

	L1	L2	H1	H2	W	TH
TH32LF	72	51	94	81	30	DN15
TH62LF	67	51	96	82	32	DN20

Material Chart

Part	Material
Body	DR Lead Free Brass
Seal	EPDM
Jumper	PA
Spindle	DR Lead Free Brass
Washer	Fibre
O Ring	EPDM
Bonnet	DR Lead Free Brass
Handle	Brass

For more information on Metforge, contact:
 Austworld 15 Activity Crescent, Molendinar, Queensland 4214 Australia
 P. 1300 780 430 F. 1300 780 441 E. info@austworld.com.au

Austworld Pty Ltd. All rights reserved 2018. Austworld and Metforge are registered trade mark belonging to Austworld Pty Ltd.

