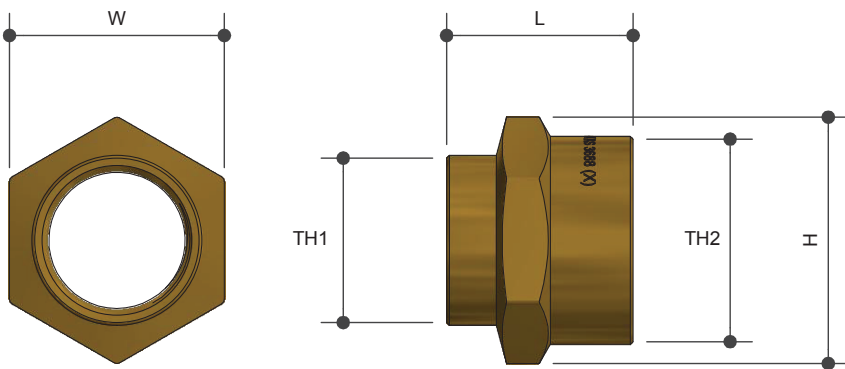


# SCREWED BRASSWARE

Hexagon Socket Reducing Lead Free

Product Specifications



## Specifications

Working Temperature 1°C - 95°C

Maximum Pressure Rating 1600kPa

## Sizing Chart (MM)

	L	H	W	TH1	TH2
AW504LF	27	29	25	Rp 1/4"	Rp 2/2"
AW506LF	30	36	32	Rp 1/2"	Rp 3/4"
AW508LF	34	45	39	Rp 3/4"	Rp 1"

## Features

Watermark Lead Free Approved

Brass and Chrome Finish

Tested and Certified to AS 3688



## Material Chart

Part	Material
Body	DR Lead Free Brass

For more information on Metforge, contact:

Austworld 15 Activity Crescent, Molendinar, Queensland 4214 Australia

P. 1300 780 430

F. 1300 780 441

E. [info@austworld.com.au](mailto:info@austworld.com.au)

Austworld Pty Ltd. All rights reserved 2018. Austworld and Metforge are registered trade mark belonging to Austworld Pty Ltd.

