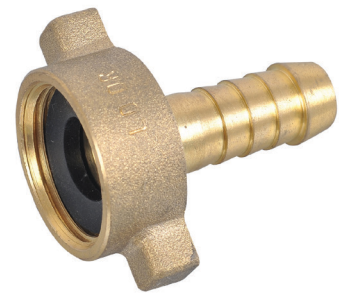
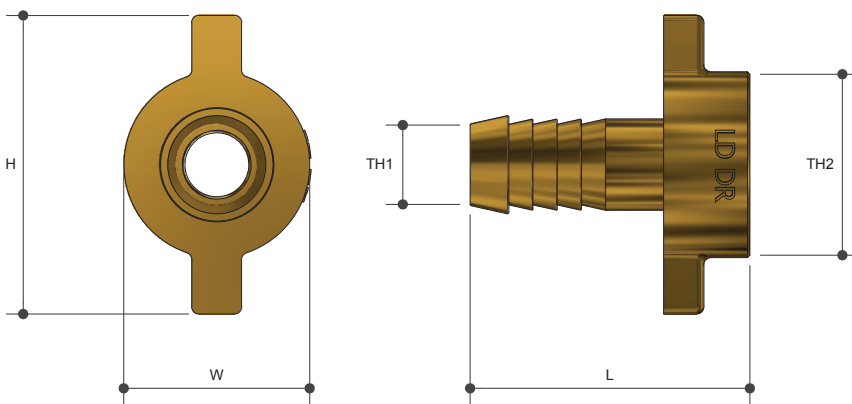


SCREWED BRASSWARE

Hose Nut and Tail Lead Free

Product Specifications

Metforge®
brassware



Specifications

Maximum Working Temperature 1 °C to 95 °C

Maximum Pressure Rating 1600kPa

Features

Watermark Lead Free Approved

Tested and Certified to AS 3688

Sizing Chart (MM)

	L	H	W	TH1	TH2
NT1515LF	49	45	26	DN15	G 1/2"
NT2015LF	48	45	31	DN15	G 3/4"
NT2020LF	51	45	31	DN20	G 3/4"
NT2520LF	58	62	38	DN20	G 1"
NT2525LF	63	62	38	DN25	G 1"
NT3232LF	67	77	47	DN32	G 1 1/4"
NT4040LF	84	83	54	DN40	G 1 1/2"
NT5040LF	85	100	65	DN40	G 2"
NT5050LF	86	100	65	DN50	G 2"
NT6565LF	96	123	82	DN65	G 2 1/2"
NT8080LF	112	136	95	DN80	G 3"
NT100100LF	100	161	121	DN100	G4"

Material Chart

Part	Material
Nut	Brass
Barb	DR Lead Free Brass
Washer	EPDM

For more information on Metforge, contact:

Austworld 15 Activity Crescent, Molendinar, Queensland 4214 Australia

P. 1300 780 430

F. 1300 780 441

E. info@austworld.com.au

Austworld Pty Ltd. All rights reserved 2018. Austworld and Metforge are registered trade mark belonging to Austworld Pty Ltd.

AUSTWORLD