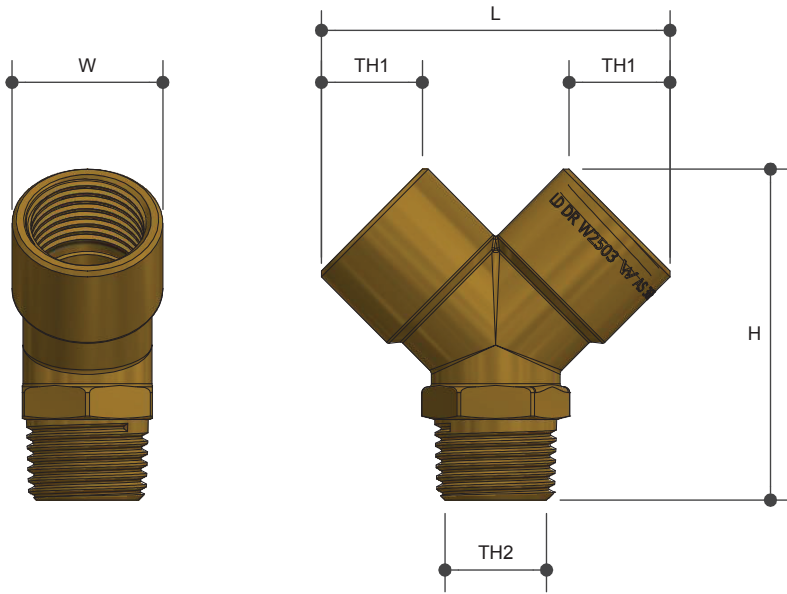


SCREWED BRASSWARE

Y Piece Lead Free

Product Specifications



Specifications

Working Temperature 1°C - 95°C

Maximum Pressure Rating 1600kPa

Sizing Chart (MM)

	L	H	W	TH1	TH2
Y001LF	59	55	26	Rp 1/2"	R 1/2"

Features

Watermark Lead Free Approved

Tested and Certified to AS 3688



Material Chart

Part	Material
Y Piece	DR Lead Free Brass

For more information on Metforge, contact:

Austworld 15 Activity Crescent, Molendinar, Queensland 4214 Australia

P. 1300 780 430

F. 1300 780 441

E. info@austworld.com.au

Austworld Pty Ltd. All rights reserved 2018. Austworld and Metforge are registered trade mark belonging to Austworld Pty Ltd.

