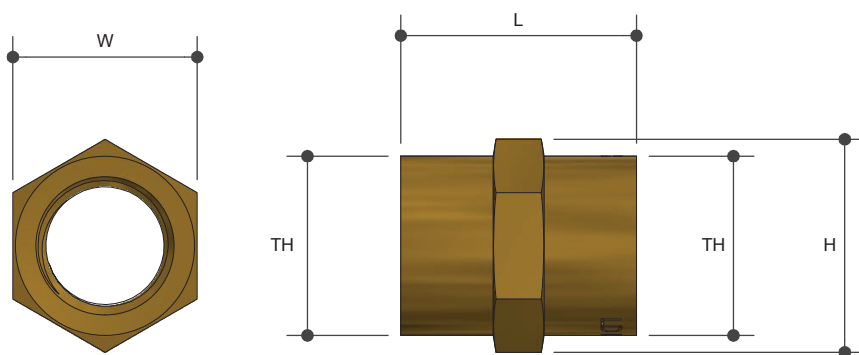


SCREWED BRASSWARE

Hexagon Socket Lead Free

Product Specifications



Specifications

Working temperature 1°C - 95°C

Maximum pressure rating 1600kPa

Sizing Chart (MM)

| | L | H | W | TH |
|-----------|----|----|----|-----------|
| AW510LF | 16 | 16 | 14 | Rp 1/8" |
| AW511LF | 23 | 21 | 18 | Rp 1/4" |
| AW513LF | 24 | 24 | 21 | Rp 3/8" |
| AW517LF | 28 | 29 | 26 | G 1/2" |
| AW517NBLF | 28 | 29 | 26 | G 1/2" |
| AW518LF* | 28 | 29 | 26 | Rp 1/2" |
| AW527LF | 32 | 36 | 32 | G 3/4" |
| AW528LF* | 32 | 36 | 32 | G 3/4" |
| AW529LF | 35 | 44 | 39 | G 1" |
| AW531LF | 50 | 51 | 48 | G 1 1/4" |
| AW532LF | 44 | 59 | 55 | Rp 1 1/2" |
| AW534LF | 52 | 71 | 66 | Rp 2" |

* Chrome Plated

For more information on Metforge, contact:

Austworld 15 Activity Crescent, Molendinar, Queensland 4214 Australia

P. 1300 780 430

F. 1300 780 441

E. info@austworld.com.au

Austworld Pty Ltd. All rights reserved 2018. Austworld and Metforge are registered trade mark belonging to Austworld Pty Ltd.

Features

Watermark Lead Free Approved

Brass and chrome finish

Tested and certified to AS 3688



Material Chart

| Part | Material |
|--------|--------------------|
| Socket | DR Lead Free Brass |

