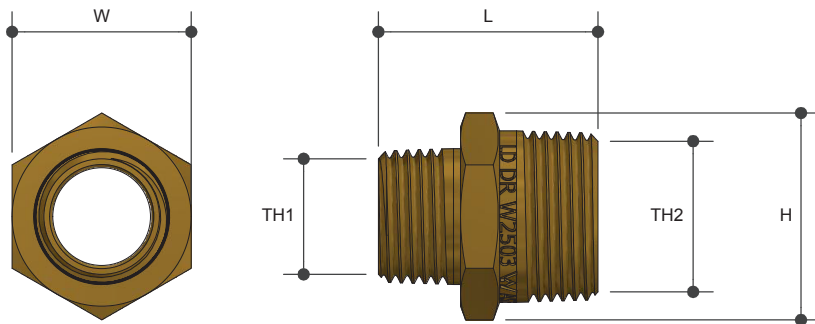


SCREWED BRASSWARE

Hexagon Nipple Reducing Lead Free

Product Specifications



Specifications

Working Temperature 1°C to 95°C

Maximum Pressure Rating 1600kPa

Sizing Chart (MM)

	L	H	W	TH1	TH2
AW677LF	27	17	15	R 1/8"	R 1/4"
AW678LF	27	20	17	R 1/8"	R 3/8"
AW679LF	27	21	18	R 1/4"	R 3/8"
AW681LF	30	25	22	R 1/4"	R 1/2"
AW682LF	30	25	22	R 1/2"	R 3/8"
AW685LF	34	32	28	R 1/2"	R 3/4"
AW685NBLF	34	32	28	R 1/2"	R 3/4"
AW685XLLF	37	32	28	R 1/2"	R 3/4"
AW686LF*	34	31	27	R 1/2"	R 3/4"
AW687LF	38	38	35	R 1/2"	R 1"
AW687NBLF	38	38	35	R 1/2"	R 1"
AW688LF	37	36	35	R 3/4"	R 1"
AW688NBLF	37	36	35	R 3/4"	R 1"
AW690LF	46	50	43	R 3/4"	R 1 1/4"
AW691LF	47	46	43	R 1"	R 1 1/4"
AW693LF	51	53	49	R 3/4"	R 1 1/2"
AW694LF	52	54	50	R 1"	R 1 1/2"
AW695LF	50	52	49	R 1 1/4"	R 1 1/2"
AW696LF	50	69	64	R 2"	R 1 1/2"
AW697LF	50	68	61	R 2"	R 3/4"
AW698LF	53	68	61	R 2"	R 1"

* Chrome Plated

For more information on Metforge, contact:

Austworld 15 Activity Crescent, Molendinar, Queensland 4214 Australia

P. 1300 780 430

F. 1300 780 441

E. info@austworld.com.au

Austworld Pty Ltd. All rights reserved 2018. Austworld and Metforge are registered trade mark belonging to Austworld Pty Ltd.

Features

Watermark Lead Free Approved

Tested and Certified to AS 3688



Material Chart

Part	Material
Nipple	DR Lead Free Brass

	L	H	W	TH1	TH2
AW699	53	68	61	R 1 1/4"	R 2"
AW700	54	65	61	R 1 1/2"	R 2"
AW701	61	83	77	R 2"	R 2 1/2"
AW702	63	97	90	R 2"	R 3"
AW703	67	97	90	R 2 1/2"	R 3"
AW704	71	124	115	R 2"	R 4"
AW705	72	124	115	R 2 1/2"	R 4"
AW706	75	124	115	R 3"	R 4"

