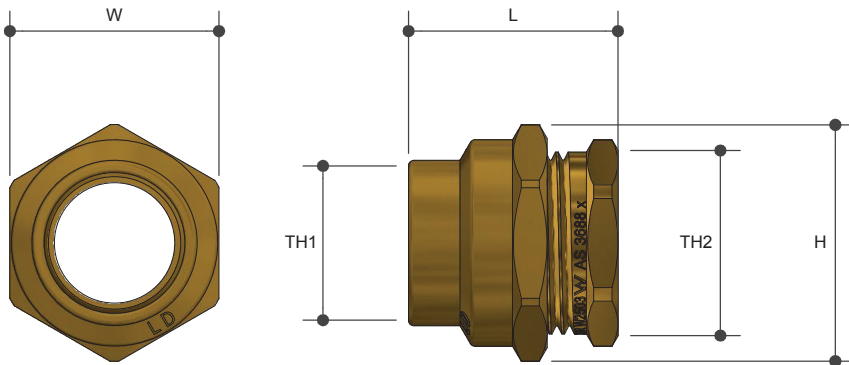


FLARED COMPRESSION

Union C X C Lead Free

Product Specifications



Specifications

Maximum Working Temperature 1°C to 95°C

Maximum Pressure Rating 1600kPa

Sizing Chart (MM)

	L	H	W	TH1	TH2
AW739LF	30	28	25	15C	15C
AW741LF	38	35	32	20C	20C
AW743LF	38	43	38	25C	25C

Features

Watermark Lead Free Approved

Brass

Tested and Certified to AS 3688

Material Chart

Part	Material
Olive	DR Lead Free Brass
Compression Nut	Brass
Nut	DR Lead Free Brass

For more information on Metforge, contact:
Austworld 15 Activity Crescent, Molendinar, Queensland 4214 Australia
P. 1300 780 430 F. 1300 780 441 E. info@austworld.com.au

Austworld Pty Ltd. All rights reserved 2018. Austworld and Metforge are registered trade mark belonging to Austworld Pty Ltd.

