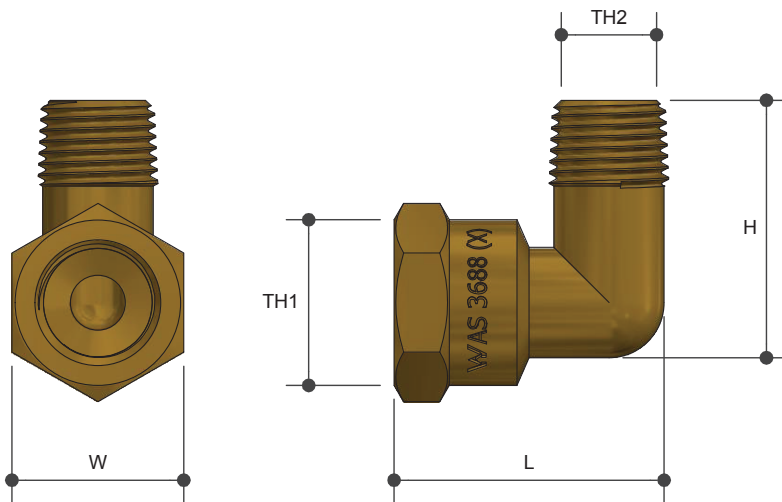


SCREWED BRASSWARE

Elbow MI X FI Lead Free

Product Specifications



Specifications

Maximum Working Temperature 1 °C to 95 °C

Maximum Pressure Rating 1600kPa

Features

Watermark Lead Free Approved

Brass and Chrome Finish

Tested and Certified to AS 3688

Sizing Chart (MM)

	L	H	W	TH1	TH2
AW559LF	22	21	14	Rp 1/8"	R 1/8"
AW560LF	30	33	18	Rp 1/4"	R 1/4"
AW561LF	39	40	21	Rp 3/8"	R 3/8"
AW562LF	44	40	26	Rp 1/2"	R 1/2"
AW562NBLF	44	40	26	Rp 1/2"	R 1/2"
AW565LF**	35	38	26	Rp 1/2"	R 1/2"
AW563LF*	44	40	26	Rp 1/2"	R 1/2"
AW564LF	47	44	31	Rp 3/4"	R 3/4"
AW564NBLF	47	44	31	Rp 3/4"	R 3/4"
AW566LF	63	54	41	Rp 1"	R 1"
AW568LF	75	73	47	Rp 1 1/4"	R 1 1/4"
AW569LF	75	74	55	Rp 1 1/2"	R 1 1/2"
AW571LF	81	86	66	Rp 2"	R 2"

* Chrome Plated

** Compact

Material Chart

Part	Material
Elbow	DR Lead Free Brass

For more information on Metforge, contact:

Austworld 15 Activity Crescent, Molendinar, Queensland 4214 Australia

P. 1300 780 430

F. 1300 780 441

E. info@austworld.com.au

Austworld Pty Ltd. All rights reserved 2018. Austworld and Metforge are registered trade mark belonging to Austworld Pty Ltd.

