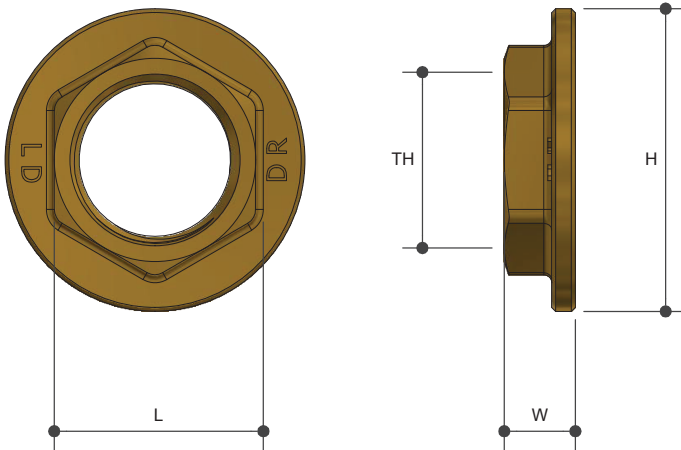


SCREWED BRASSWARE

Back Nut Flange Lead Free

Product Specifications

Metforge®
brassware



Specifications

Working Temperature 1°C - 95°C

Maximum Pressure Rating 1600kPa

Sizing Chart (MM)

	L	H	W	TH
BNF15	9	38	26	G 1/2"
BNF15C*	9	38	26	G 1/2"
BNF20	13	40	31	G 3/4"
BNF20C*	13	40	31	G 3/4"
BNF25	11	50	39	G 1"
BNF32	12	60	48	G 1 1/4"
BNF40	12	68	54	G 1 1/2"
BNF50	13	80	67	G 2"

* Chrome plated finish

Features

Watermark Lead Free Approved

Brass and Chrome Finish

Tested and Certified to AS 3688



Material Chart

Part	Material
Body	DR Brass

For more information on Metforge, contact:

Austworld 15 Activity Crescent, Molendinar, Queensland 4214 Australia

P. 1300 780 430

F. 1300 780 441

E. info@austworld.com.au

Austworld Pty Ltd. All rights reserved 2018. Austworld and Metforge are registered trade mark belonging to Austworld Pty Ltd.

AW
AUSTWORLD