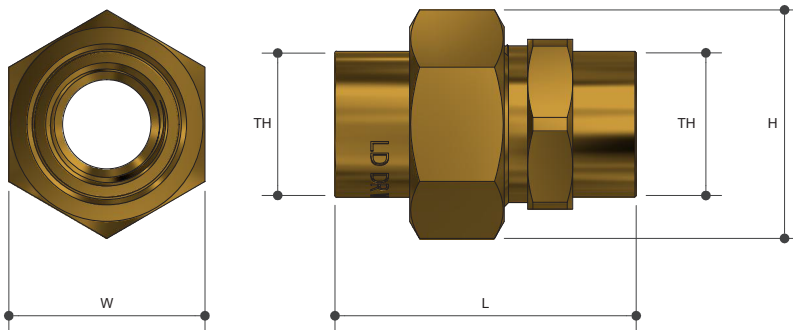


SCREWED BRASSWARE

Barrel Union FI X FI Lead Free

Product Specifications



Specifications

Working Temperature 1°C - 95°C

Maximum Pressure Rating 1600kPa

Sizing Chart (MM)

	L	H	W	TH
BUF06LF	40	25	22	G 1/4"
BUF10LF	43	32	28	Rp 3/8"
BUF15LF	47	37	35	Rp 1/2"
BUF20LF	49	49	46	Rp 3/4"
BUF20NBLF	49	49	46	Rp 3/4"
BUF25LF	57	53	50	Rp 1"
BUF32LF	70	60	56	Rp 1 1/4"
BUF32NBLF	70	60	56	Rp 1 1/4"
BUF40LF	76	66	63	Rp 1 1/2"
BUF50LF	90	79	74	Rp 2"

Features

Watermark Lead Free Approved

Tested and Certified to AS 3688



Material Chart

Part	Material
Body	DR Lead Free Brass
Nut	Brass

For more information on Metforge, contact:

Austworld 15 Activity Crescent, Molendinar, Queensland 4214 Australia

P. 1300 780 430

F. 1300 780 441

E. info@austworld.com.au

Austworld Pty Ltd. All rights reserved 2018. Austworld and Metforge are registered trade mark belonging to Austworld Pty Ltd.

