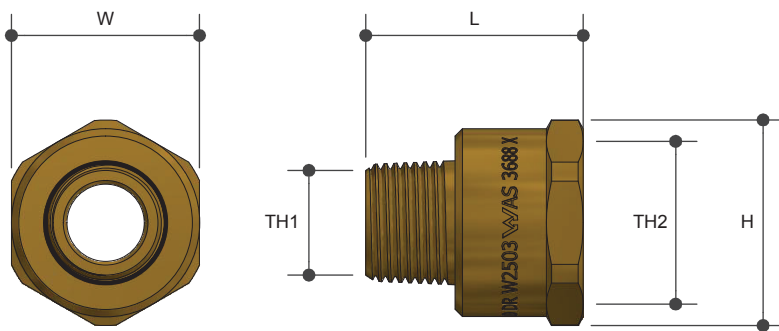


SCREWED BRASSWARE

Adaptor MI X FI Reducing Lead Free

Product Specifications



Specifications

Working Temperature 1 °C - 95 °C

Maximum Pressure Rating 1600kPa

Features

Watermark Lead Free Approved

Tested and Certified to AS 3688

Sizing Chart (MM)

	L	H	W	TH1	TH2
AW462LF	27	24	22	R 1/2"	Rp 3/8"
AW461LF	30	29	25	R 1/4"	Rp 1/2"
AW468LF	30	28	26	R 3/8"	Rp 1/2"
AW478LF	31	35	31	R 1/2"	Rp 3/4"
AW478NBLF	31	35	31	R 1/2"	Rp 3/4"
AW477LF	37	40	38	R 1/2"	Rp 1"
AW481LF	40	43	38	R 3/4"	Rp 1"
AW479LF	38	50	47	R 1/2"	Rp 1 1/4"
AW480LF	39	50	47	R 3/4"	Rp 1 1/4"
AW482LF	46	50	47	R 1"	Rp 1 1/4"
AW483LF	42	59	56	R 1"	Rp 1 1/2"
AW484LF	47	59	56	R 1 1/4"	Rp 1 1/2"
AW485LF	50	70	66	R 1 1/2"	Rp 2"

Material Chart

Part	Material
Adaptor	DR Lead Free Brass

For more information on Metforge, contact:

Austworld 15 Activity Crescent, Molendinar, Queensland 4214 Australia

P. 1300 780 430

F. 1300 780 441

E. info@austworld.com.au

Austworld Pty Ltd. All rights reserved 2018. Austworld and Metforge are registered trade mark belonging to Austworld Pty Ltd.

