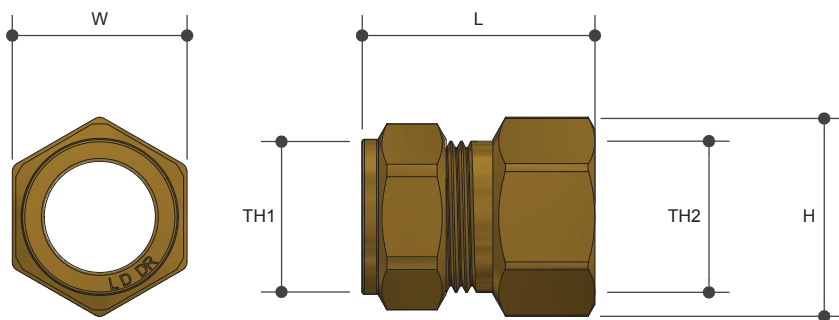


NYLON COMPRESSION

Union FI X C Lead Free

Product Specifications



Specifications

Maximum Working Temperature 1°C to 95°C

Maximum Pressure Rating 1600kPa

Features

Watermark Lead Free Approved

Brass and Chrome Finish

Tested and Certified to AS 3688

Sizing Chart (MM)

	L	H	W	TH1	TH2
AW1120LF	38	30	26	15C	Rp 1/2"
AW1126LF*	38	30	26	15C	Rp 1/2"
AW1121LF	45	35	31	20C	Rp 3/4"
AW1127LF*	45	35	31	20C	Rp 3/4"
AW3120LF	51	44	39	25C	Rp 1"

* Chrome Plated

Material Chart

Part	Material
Body	DR Lead Free Brass
Compression Nut	Brass
Olive	Nylon

For more information on Metforge, contact:
 Austworld 15 Activity Crescent, Molendinar, Queensland 4214 Australia
 P. 1300 780 430 F. 1300 780 441 E. info@austworld.com.au

Austworld Pty Ltd. All rights reserved 2018. Austworld and Metforge are registered trade mark belonging to Austworld Pty Ltd.

