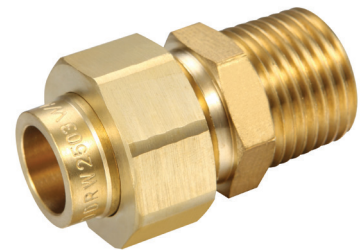
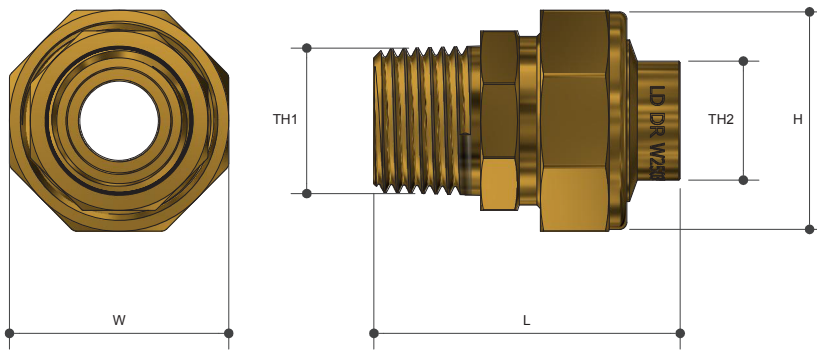


# BRASS CAPILLARY

## Barrel Union MI X Cap Lead Free

Product Specifications



### Specifications

Maximum Working Temperature 1°C to 99°C

Maximum Pressure Rating 1600kPa

### Sizing Chart (MM)

	L	H	W	TH1	TH2
BUCM15LF	43	30	30	R 1/2"	DN15
BUCM20LF	48	38	38	R 3/4"	DN20
BUCM25LF	55	47	47	R 1"	DN25
BUCM32LF	63	56	56	R 1 1/4"	DN32
BUCM40LF	69	66	66	R 1 1/2"	DN40
BUCM50LF	78	79	79	R 2"	DN50

### Features



Watermark Lead Free Approved

DR Lead Free Brass

Tested and Certified to AS 3688

### Material Chart

Part	Material
Body	DR Lead Free Brass
Nipple	DR Lead Free Brass
Nut	Brass

For more information on Metforge, contact:  
 Austworld 15 Activity Crescent, Molendinar, Queensland 4214 Australia  
 P. 1300 780 430 F. 1300 780 441 E. info@austworld.com.au

Austworld Pty Ltd. All rights reserved 2018. Austworld and Metforge are registered trade mark belonging to Austworld Pty Ltd.

