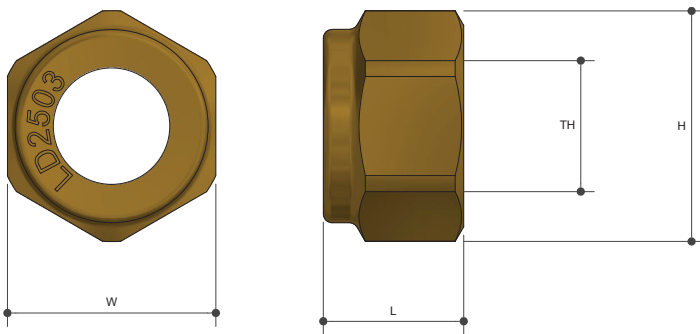


NYLON COMPRESSION

Nut Kinko Cone

Product Specifications



Specifications

Maximum Working Temperature 1°C to 95°C

Maximum Pressure Rating 1600kPa

Sizing Chart (MM)

	L	H	W	TH
AW276	16	26	23	G 1/2"
AW276NB	16	26	23	G 1/2"
AW277*	16	26	23	G 1/2"
AW267-1	23	28	25	G 1/2"
AW279	18	33	30	G 3/4"
AW279NB	18	33	30	G 3/4"
AW280**	18	33	30	G 3/4"
AW281	18	41	37	G 1"

* Chrome Plated

** Nickel Plated

Features

Watermark Approved

Brass, Nickel and Chrome Finish

Tested and Certified to AS 3688



Material Chart

Part	Material
Body	Brass

For more information on Metforge, contact:

Austworld 15 Activity Crescent, Molendinar, Queensland 4214 Australia

P. 1300 780 430

F. 1300 780 441

E. info@austworld.com.au

Austworld Pty Ltd. All rights reserved 2018. Austworld and Metforge are registered trade mark belonging to Austworld Pty Ltd.

