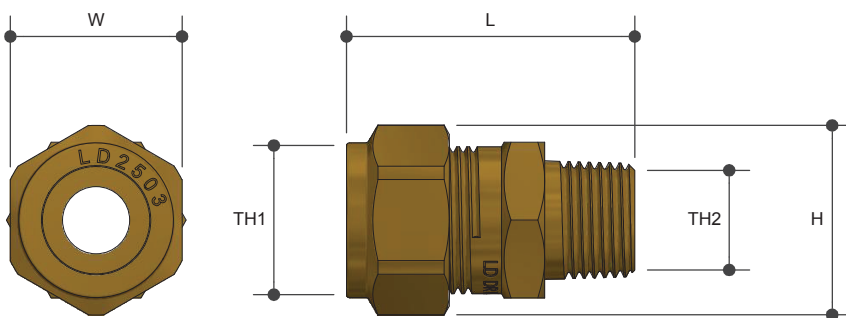


NYLON COMPRESSION

Union MI X C Reducing Lead Free

Product Specifications



Specifications

Maximum Working Temperature 1°C to 95°C

Maximum Pressure Rating 1600kPa

Sizing Chart (MM)

	L	H	W	TH1	TH2
AW1113LF	51	34	31	20C	R 1/2"
AW1112LF	39	30	28	15C	R 3/4"

Features

Watermark Lead Free Approved

Brass Finish

Tested and Certified to AS 3688



Material Chart

Part	Material
Nipple	DR Lead Free Brass
Compression Nut	Brass
Olive	Nylon

For more information on Metforge, contact:

Austworld 15 Activity Crescent, Molendinar, Queensland 4214 Australia

P. 1300 780 430

F. 1300 780 441

E. info@austworld.com.au

Austworld Pty Ltd. All rights reserved 2018. Austworld and Metforge are registered trade mark belonging to Austworld Pty Ltd.

